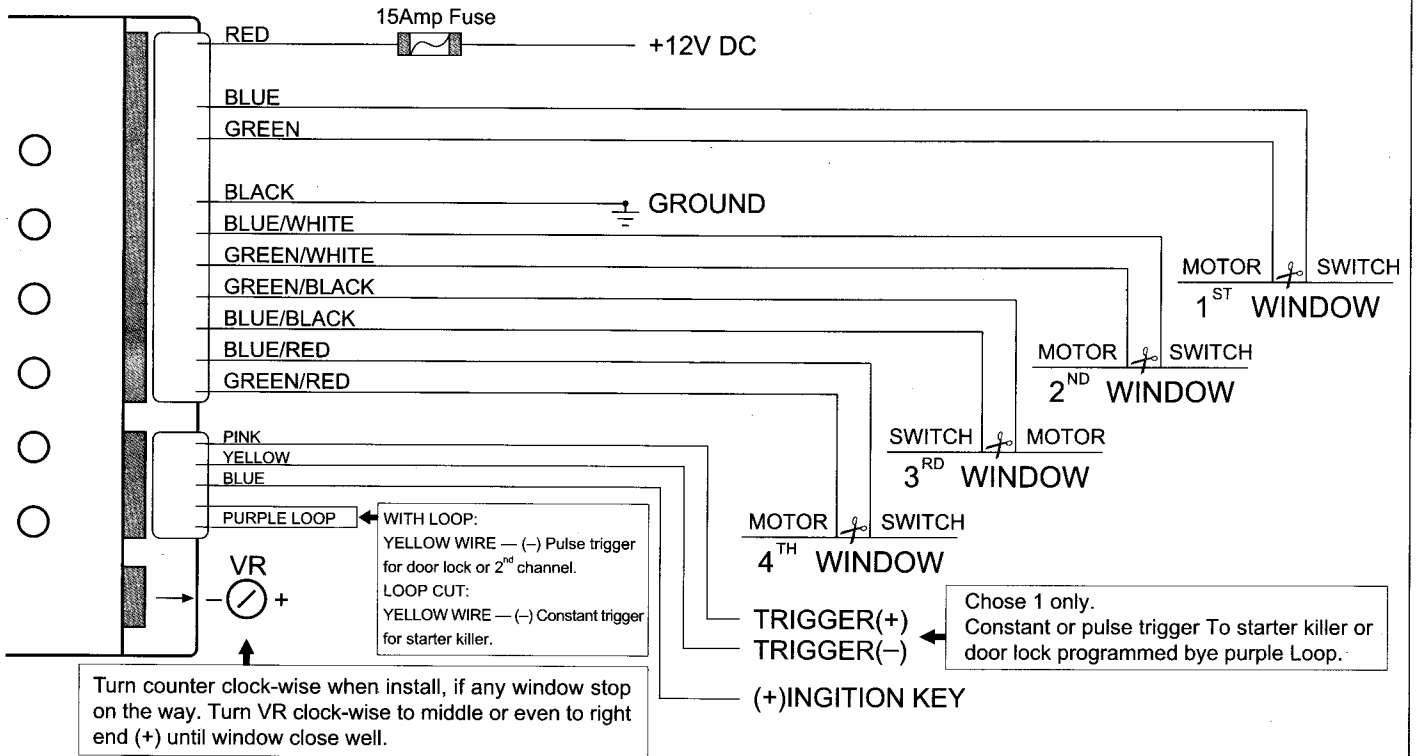
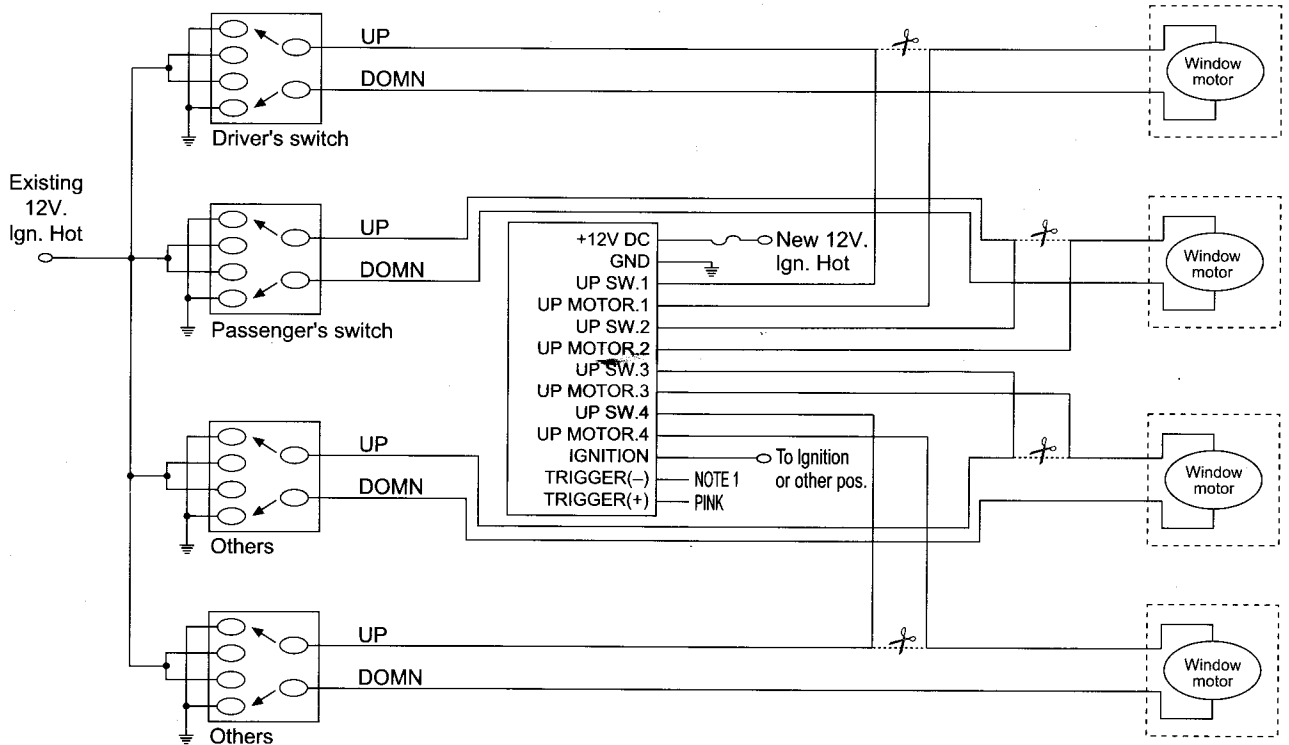


WIRING DIAGRAM (SL002)

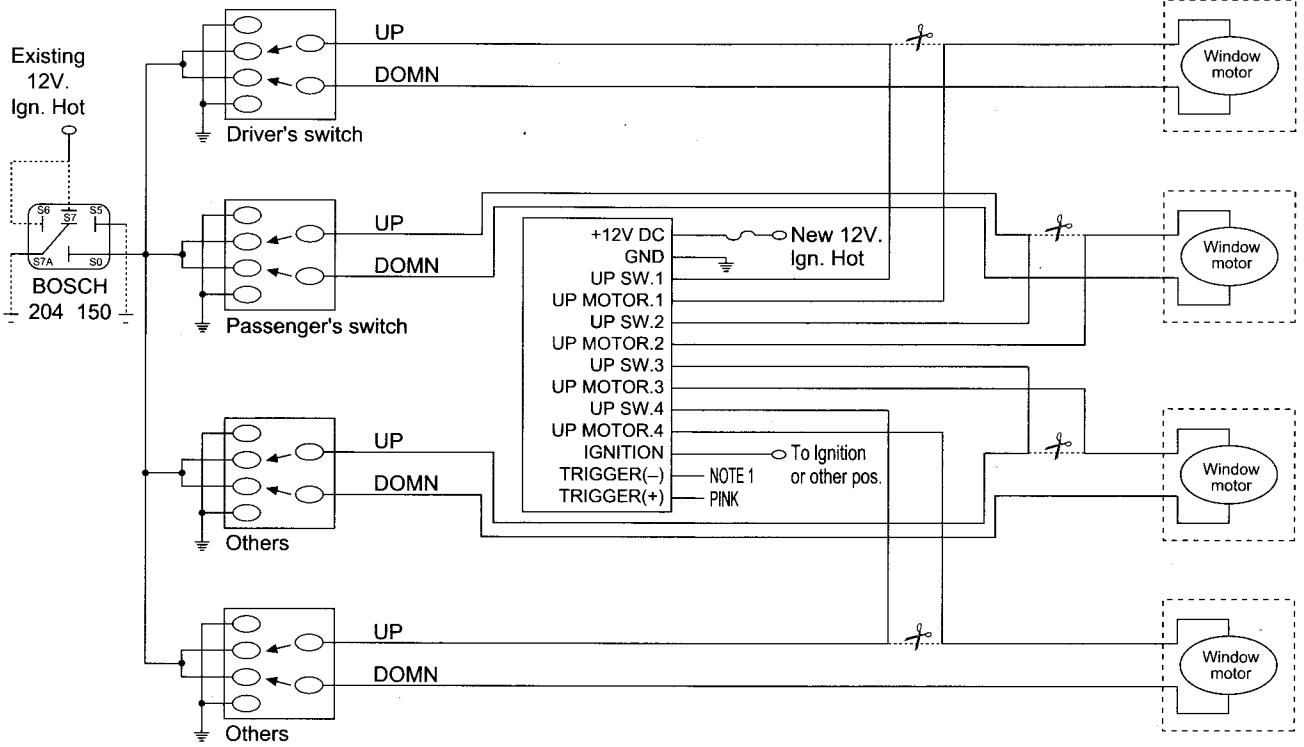


Yellow wire, trigger to close window (one by one) but programmed by purple loop.
With loop, yellow wire can be triggered by pluse signal as 2nd channel output or door (-) lock.
Cut off purple loop for triggered by starter killer.
Pink wire also. but with (+) signal.

NORMAL GROUND



NORMAL POSITIVE



NORMAL OPEN

