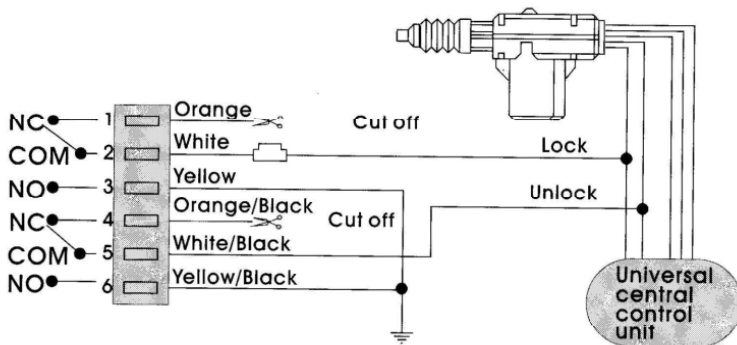
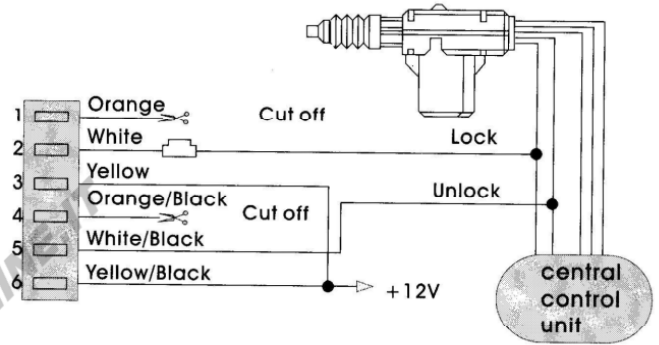


## Central Door Lock Wiring Diagram

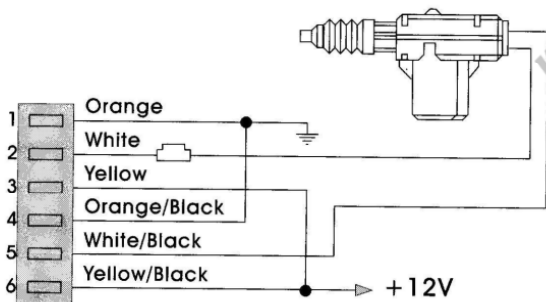
Negative trigger



Positive trigger



Positive/Negative trigger



Please turn the jumper from ON to OFF on the PCB.

